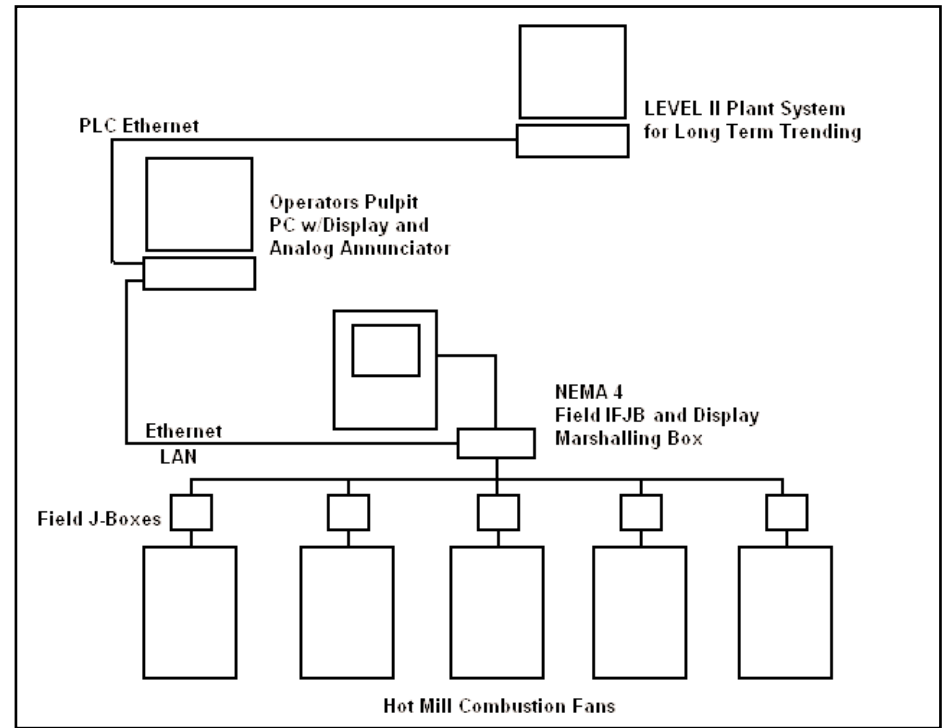


Industrial NEMA 4X
 17" LCD Touch Screen

NEMA 4 Enclosure



**SENTRY 2000 ICMS NEMA 4X Steel Mill
 Application - 2003**

**Desktop PC, Ethernet Links to
 Above Field Unit**



Signal conditioning/Power Supply
 16 Channel per card for Vibration
 Sensors

Terminations from field sensors:
 Vibration, Temperature, Pressure, etc.

Industrial Windows 2000 DAQ/PC
 1.6 GHZ, CDR, Ethernet



NOTE: Communication options include:
 Ethernet (both wired and wireless) phone
 modem, plus other OEM interfaces available.